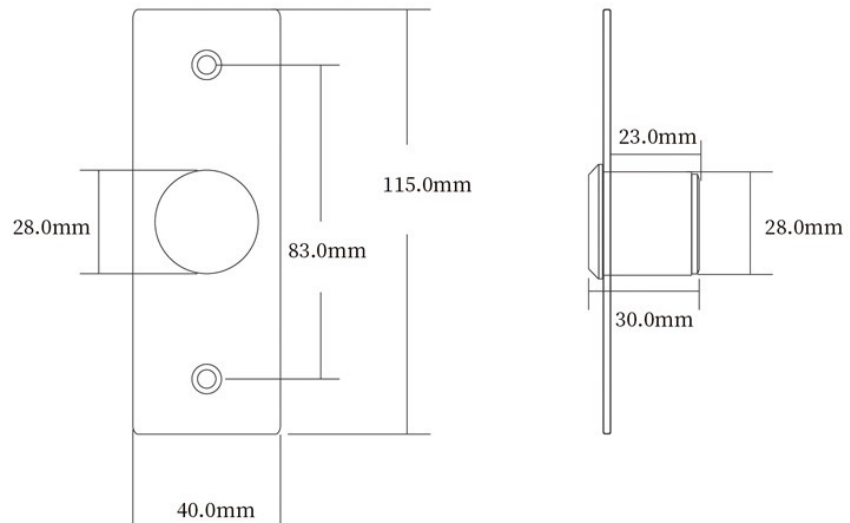




Corporate

Locksmiths & Electronic Security

CL-NT40—Slim Touchless Infrared Request to Exit Button



The CL-NT40 is a slimline request to exit device that uses infrared technology to grant access without needing to be touched.

The NT-40 is only 40mm wide. This allows it to fit on 45mm or wider metal door frames. When powered on, the outer ring of the sensor is blue. When a hand is held in front of the sensor (5-10cm), the light turns green & the relay activates.

Button Wiring

Red	+ve 12-24V DC
Black	-ve GND
Yellow	Relay Normally Closed
Green	Relay Common
Blue	Relay Normally Open

After being wired into a new or existing access control system, it can be used to open a Mag Lock, Electric Strike, V-Lock or garage door.

The relay open time can be adjusted using a screwdriver to turn the dial on the rear of the button.